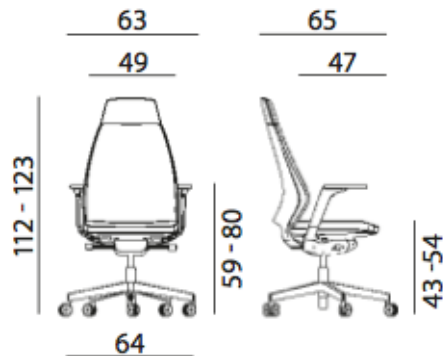




1890 INFINITY PDH



Original and nice family of chairs available in four different back versions. INFINITY: black or white polypropylene back with shaped foamed polyurethane padding. INFINITY PDH: black or white polypropylene back with headrest with shaped foamed polyurethane padding. INFINITY MESH: black or white polypropylene frame backrest with a polyester stretch mesh available in black or white, with a perfect lumbar support conceived to guarantee comfort to users. INFINITY PLAST: Medium backrest with visible black or white nylon frame or padded and upholstered at the front, height-adjustable. Nylon seat with flexible polyurethane padding, upholstered in fabric. Synchronized tilting mechanism with 6-position adjustment and anti-shock back release system, backrest resistance adjustment according to user's weight via lever positioned on the side of the mechanism. Armrests are available in black or white, can be adjusted in 2D (height and wide) with a PU pad soft at touch. The 5-spoke base is in nylon black or white with Ø 65 mm castors for fitted carpet or linoleum floors. Made in EU.