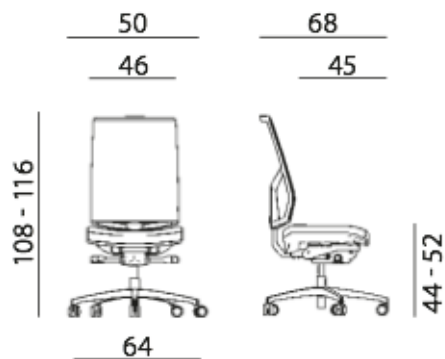




1850 SYN OMNIA +AR40



optional armrests  
AR 08



optional alu base

Omnia is available in the black or white plastic version with or without headrest. Seat with cold injected polyurethane padding, underseat with black polypropylene casing. Polypropylene frame backrest with a polyester stretch mesh available in black or white, with a height-adjustable lumbar support conceived to guarantee comfort to users. The back of the Omnia is height-adjustable lockable in 7 position. Synchronized tilting mechanism for seat and back, with 5-position adjustment with easier access controls, anti-shock back release system, knob adjusted back tension. Depth adjustment system for the seat on demand. 5-spoke base in black or white nylon or 5-spoke base in polished pressure die-cast aluminium with Ø 65 mm castors for fitted carpet or linoleum floors. Optional fixed or T-shaped high adjustable armrests in black nylon. Optional hanger. Optional coloured mesh. The meeting version (1850/S Omnia) has a slide frame with tubular steel structure, Ø 25 x 2 mm with PU pad armrests, with non-slip glides, chrome-plated. Made in EU.