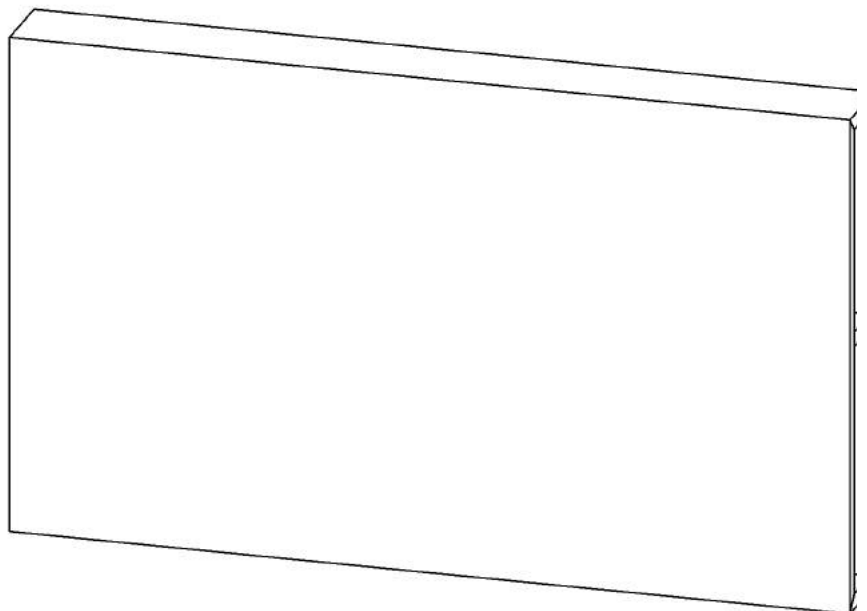
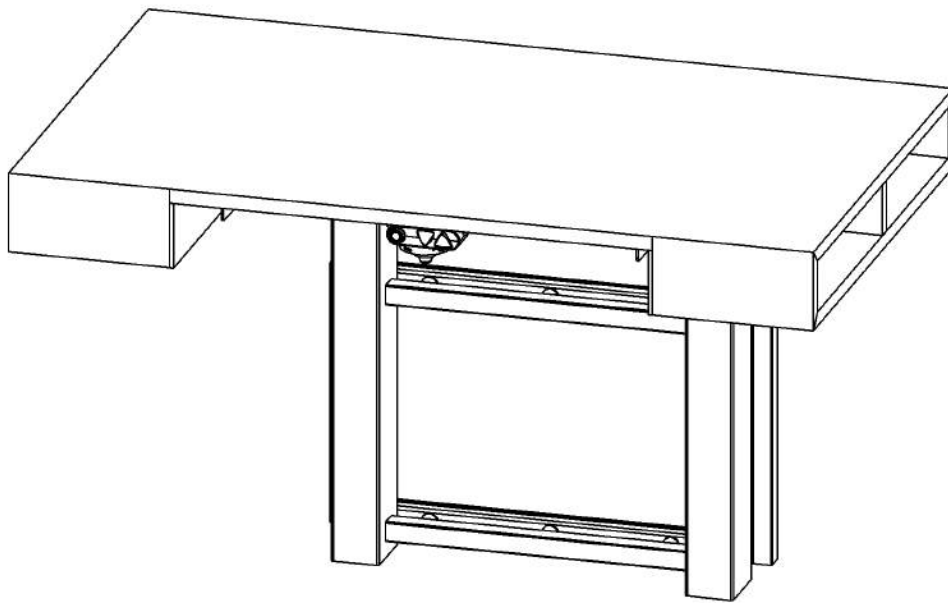


# Wall

Original

358750.0

EN - Assembly Instruction and User Manual (Page 2)



Video



## TABLE OF CONTENTS

1. Safety and warnings
2. Usage
3. Set up and installation
4. Operation
5. Maintenance and defects
6. Technical data
7. Parts
8. Assembly instructions
9. Declaration of conformity

## IMPORTANT NOTES!

Prior to installment, use and maintenance of the table frame, any installer and any user of the table must study this assembly and operation manual carefully, so as to gain a complete understanding of its contents

### 1. Safety and warnings

This table complies with the prescribed safety regulations. Inappropriate use may cause damage to persons and table.

Please read the operation manual prior to start using the table. It provides you with important information about safety, use, installation and maintenance of the table, and thus protecting you and your children and avoiding damage on the table.

Please guard this operation manual and pass it on to any future owner!

### 2. Usage

The electromotive, height-adjustable tables are designed for workstations in dry work environments only (0-40°C; 20-90% relative humidity). The table height is infinitely adjustable, so that it can be set to the most ergonomically suitable working level:

They have not been designed for other purposes than those included in this manual, e.g. they are not to be used in areas of high humidity or dampness, nor for lifting people. Any other use is at one's own risk! Do not crawl, lie or move around under the table frame, and do not sit or stand on the table frame. CHILDREN should only use the table when supervised by adults. Liability - The manufacturer accepts under no circumstances warranty claims or liability claims for damages arising from improper use or handling of the table frame other than that described in this operation manual.

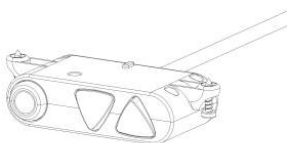
### 3. Set up and installation

The table is connected to the 100-240 VAC outlet and the table is ready for use. Make sure that no cables can get jammed. Place the table in a safe distance from window frames, radiators, furniture etc. so that people do not get stuck. Do not place any objects above 21" (55 cm) underneath the table. When moving the table after it has been assembled, the tabletop needs to be removed. The table CANNOT be lifted by the tabletop. The desk need to be lowered to minimum height before moving.

### 4. Operation

UP/DOWN operation:

Hold down the round button and push the arrow for operation up or down. This userpanel increases the safety of the desk and insures that an accidental push of the button will start movement.



**WARNING: FAILURE TO COMPLY WITH OR OBSERVE ALL ASSEMBLY, SAFETY AND OPERATION INSTRUCTIONS AND WARNINGS REGARDING THE USE OF THIS PRODUCT MAY RESULT IN SERIOUS BODILY INJURY.**

## 5. Maintenance and defects

The table does not require any maintenance by usage as described in chapter 2 in the directions for use. The table is only to be maintained with a damp cloth

In the event of the occurrence of jarring sounds during operation, STOP using the table and please contact the dealer.

## 6. Technical data

<b>Frame, materials</b>	Steel, powder lacquered
<b>Weight</b>	35 kg
<b>Width</b>	70 cm
<b>Depth</b>	60 cm
<b>Height</b>	65 -130 cm
<b>Max. load</b>	30 kg
<b>Speed</b>	35 mm/s
<b>Duty cycle</b>	10% by 50% of max. load on frame or max. 2 min. continuously
<b>Operation</b>	Micro switches
<b>Voltage</b>	100-240 VAC   50/60 Hz
<b>Standby Consumption</b>	< 0,15 Watt

## 7. Parts

See page 4.

## 8. Assembly instructions

See page 5 - 9.

## 9. Declaration of conformity

We hereby declare, under our sole responsibility that the following products: Sit and stand table product type WALL

is in accordance with: Directive 2006/42/EF of The European Parliament and of the Council of 17 May 2006 on machinery

With reference to the above please be aware that: the sit and stand table is considered a machine and the sit and stand table may not be used until it has been assembled and installed according to the instructions.

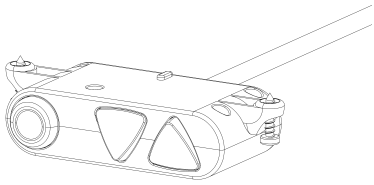
### Manufacturer

ConSet A/S | Industrivej 23 | 6900 Skjern | Denmark | [www.conset.com](http://www.conset.com) | Tlf.: +45 96800080 | [conset@conset.com](mailto:conset@conset.com)

# 1. Parts

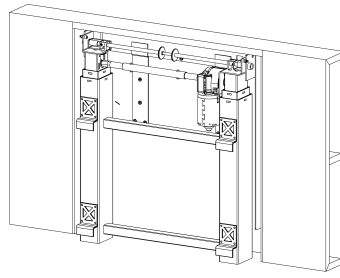
EN

Ⓐ Control panel



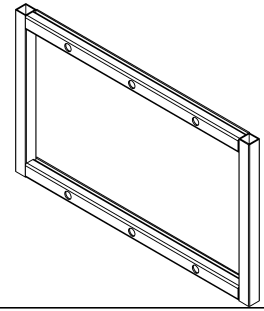
x1

Ⓑ Desk Frame



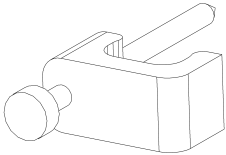
x1

Ⓒ Wall mounting bracket



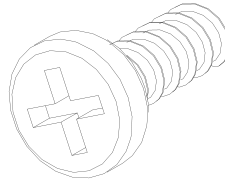
x1

Ⓓ Wirenail



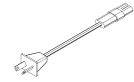
x8

Ⓔ Screw 5x16mm



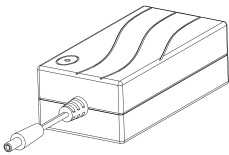
x2

Ⓕ Power cord



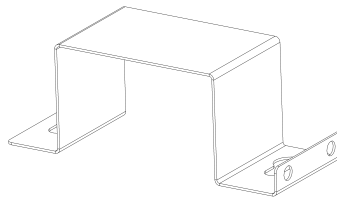
x1

Ⓖ Power supply



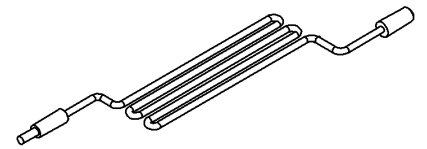
x1

Ⓖ Power supply bracket



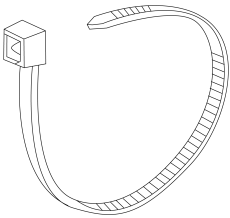
x1

Ⓖ DC extender wire



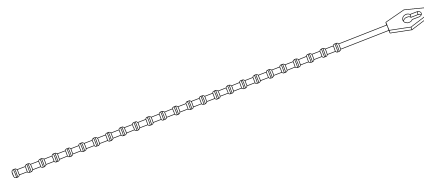
x1

Ⓙ Zip tie



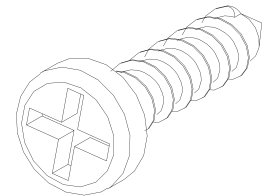
x2

Ⓚ Cable tie



x2

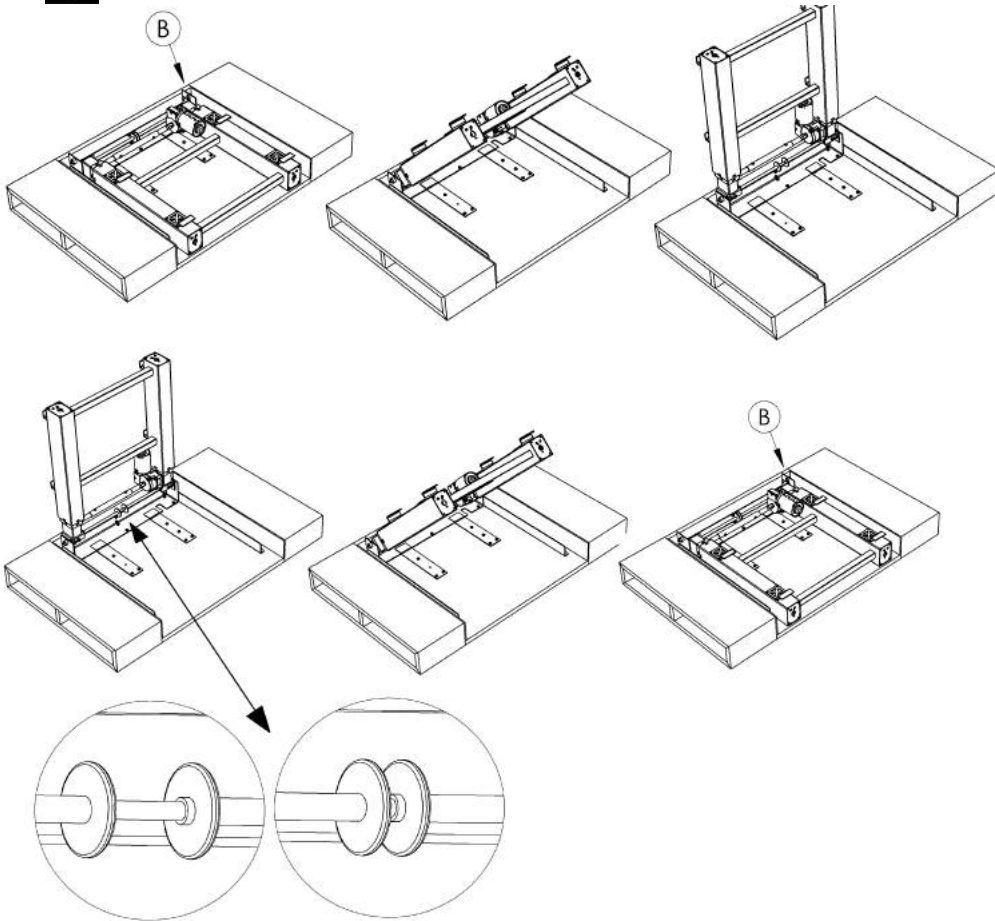
Ⓛ Screw 3x16mm



x2

## 2. Assembly Instruction and User Manual

### 1 Fold desk up



#### Fold desk up

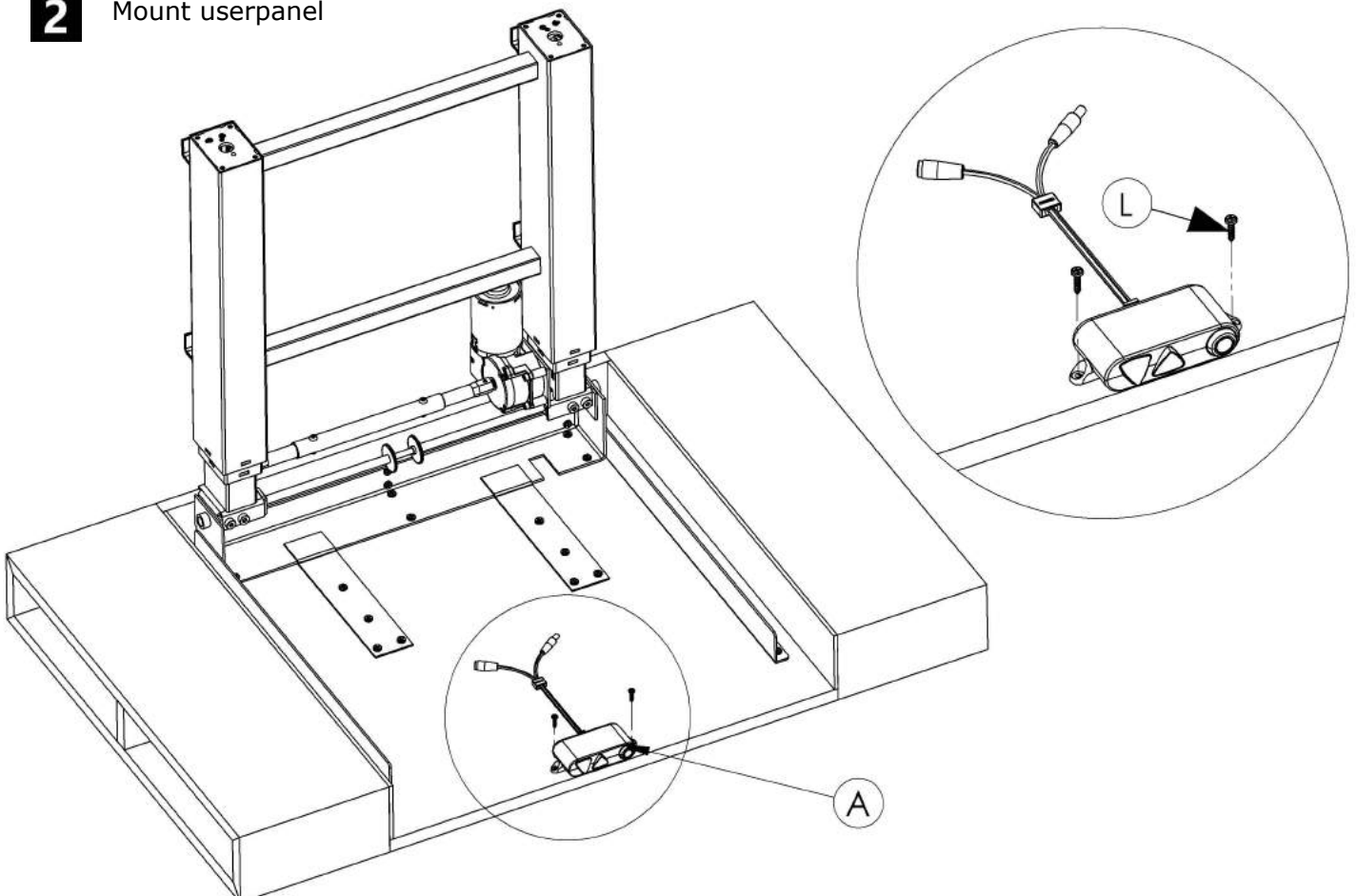
Just fold the frame up by hand and it will automatically stay up once it is perpendicular to the tabletop. Once the automatic trigger is activated there will be a click sound.

#### Fold desk down

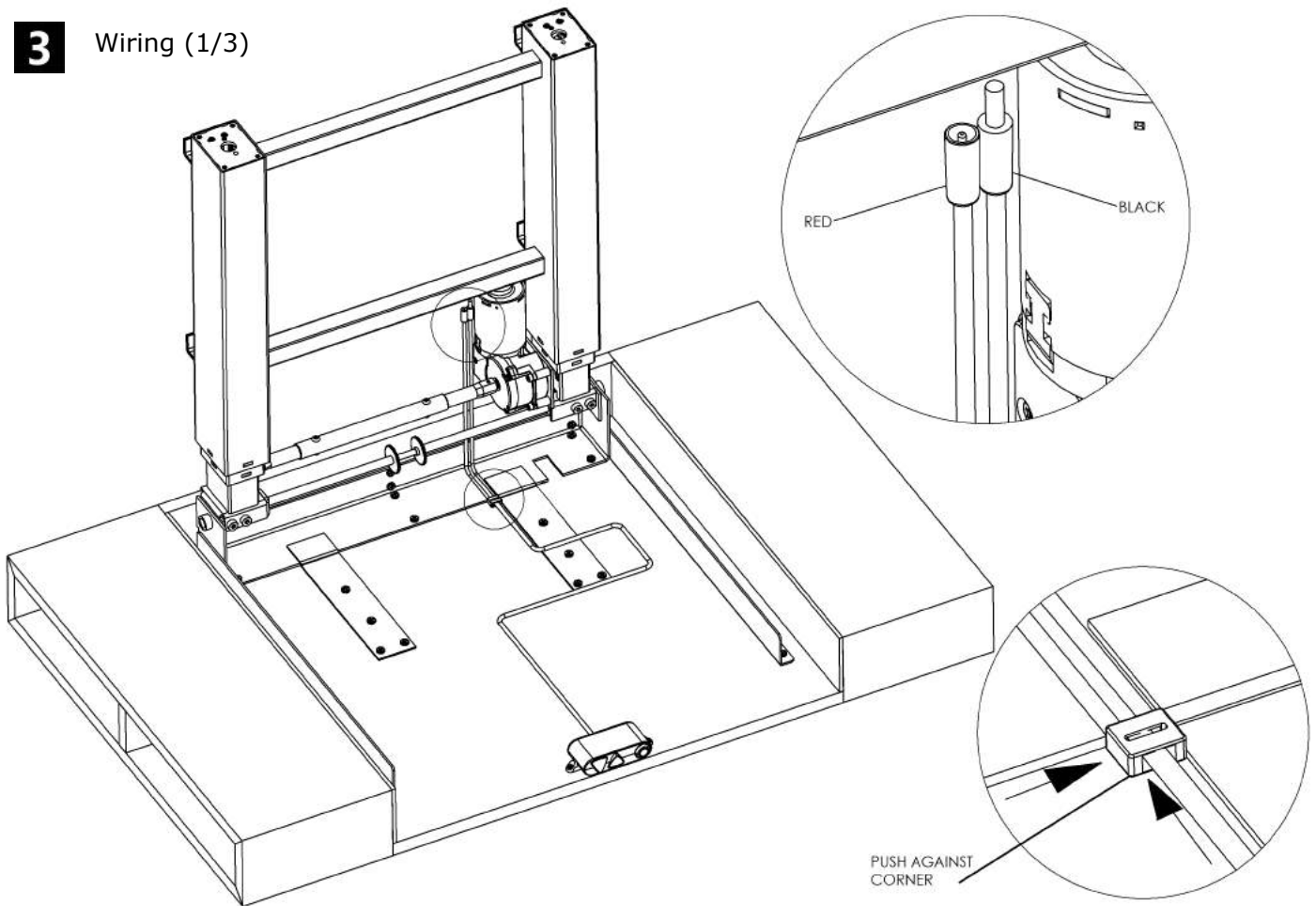
To fold the desk down the two round handles must be pushed together, then just grab the frame and fold it down.

The round handles must always be pushed together to fold the desk down.

### 2 Mount userpanel

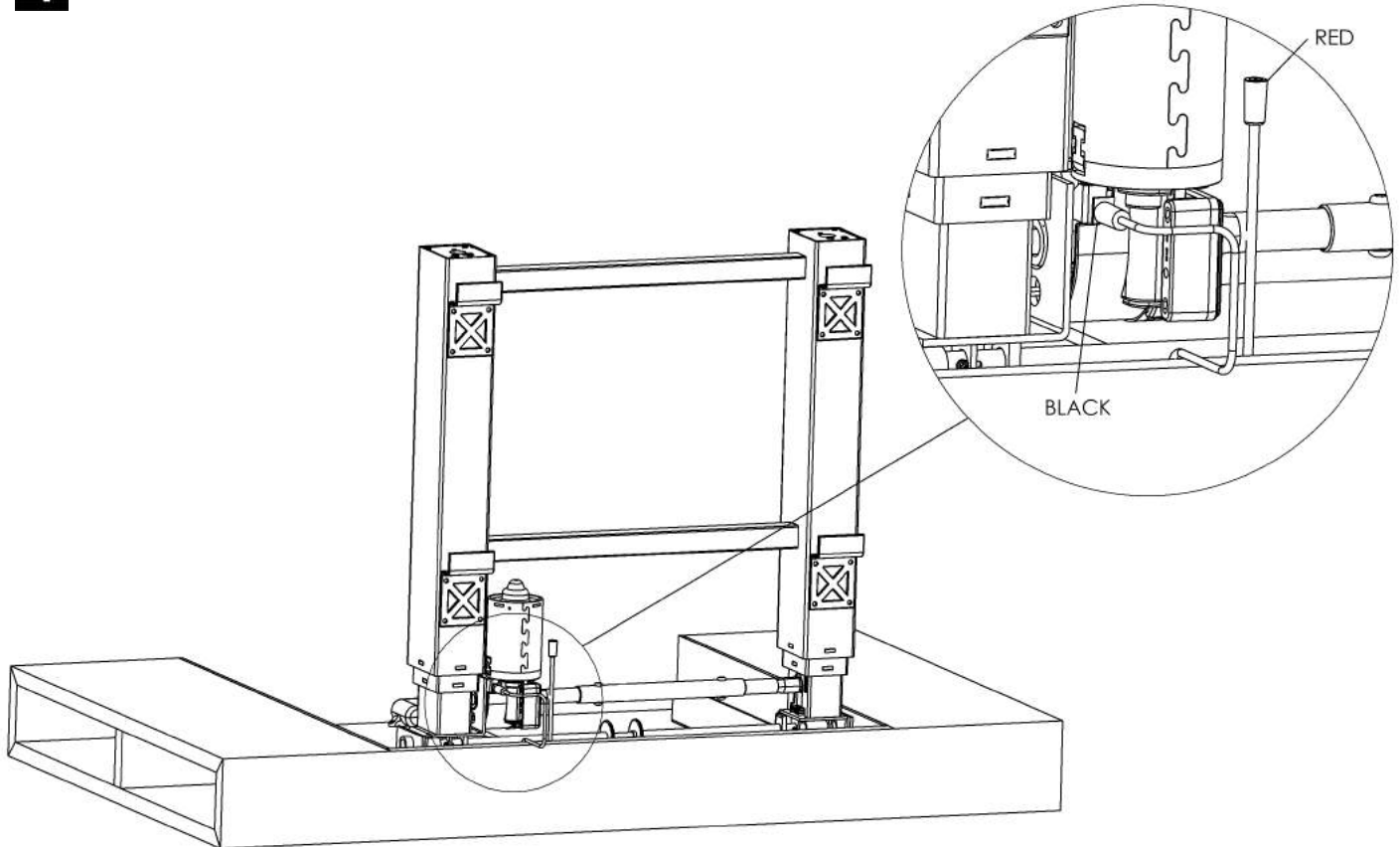


### 3 Wiring (1/3)



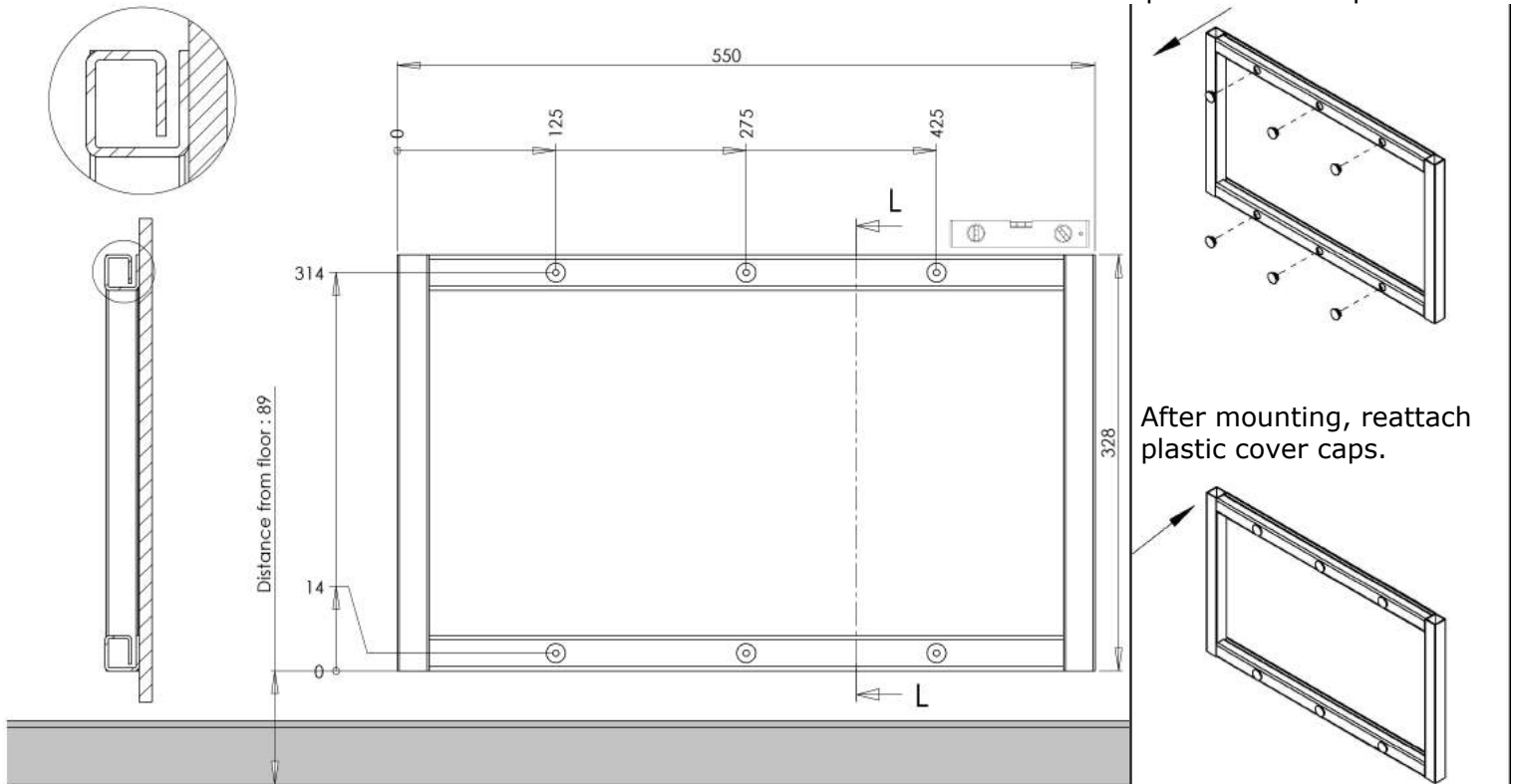
Make sure the wires are not in the way of folding movement - Test the wiring by folding desk down and up before adding wire nails. See page 5 step 1 for folding instructions.

### 4 Wiring(2/3)



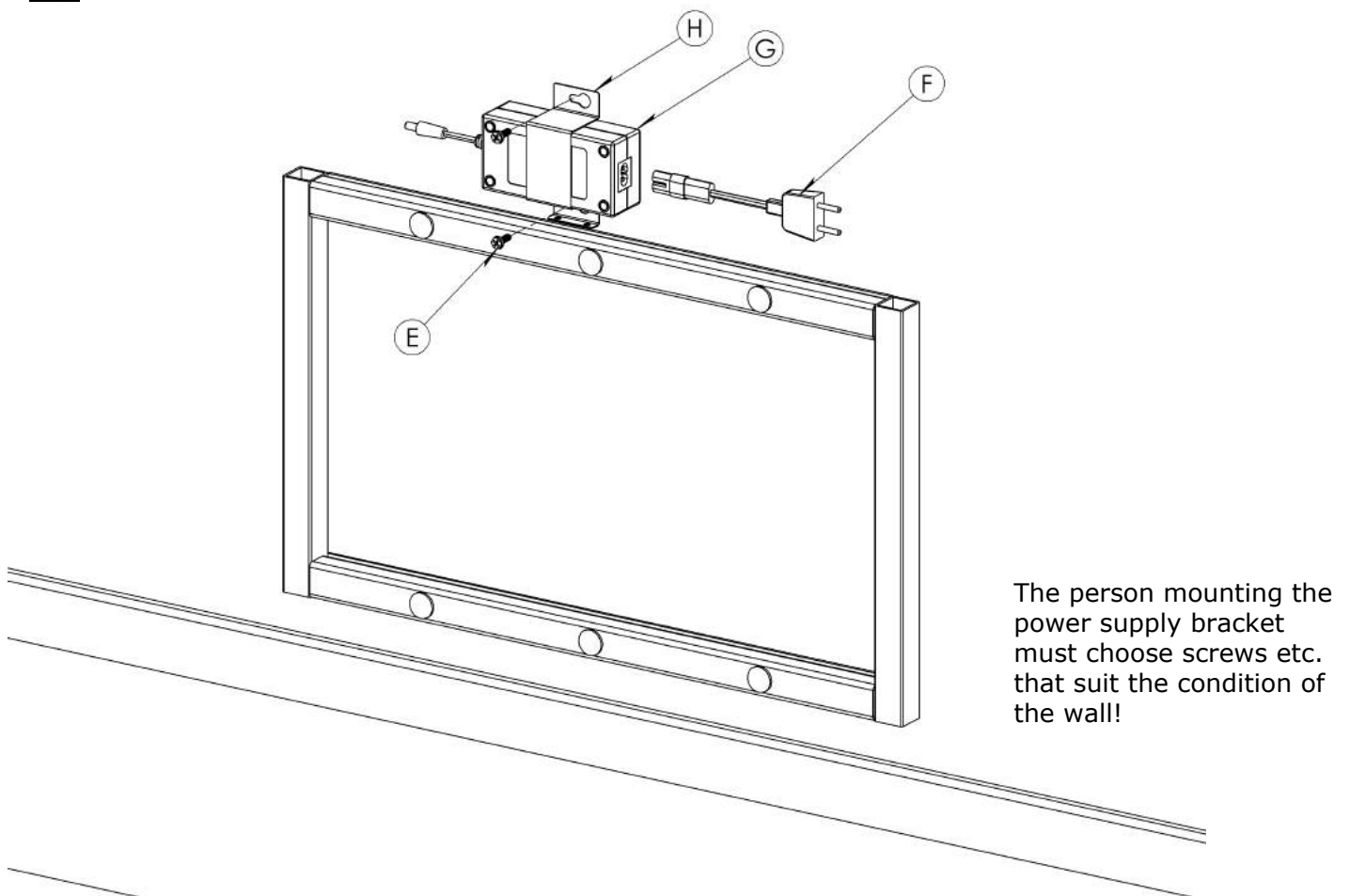
Connect the black plug to the motor then fold the desk down.

## 5 Mount wall mounting bracket on wall

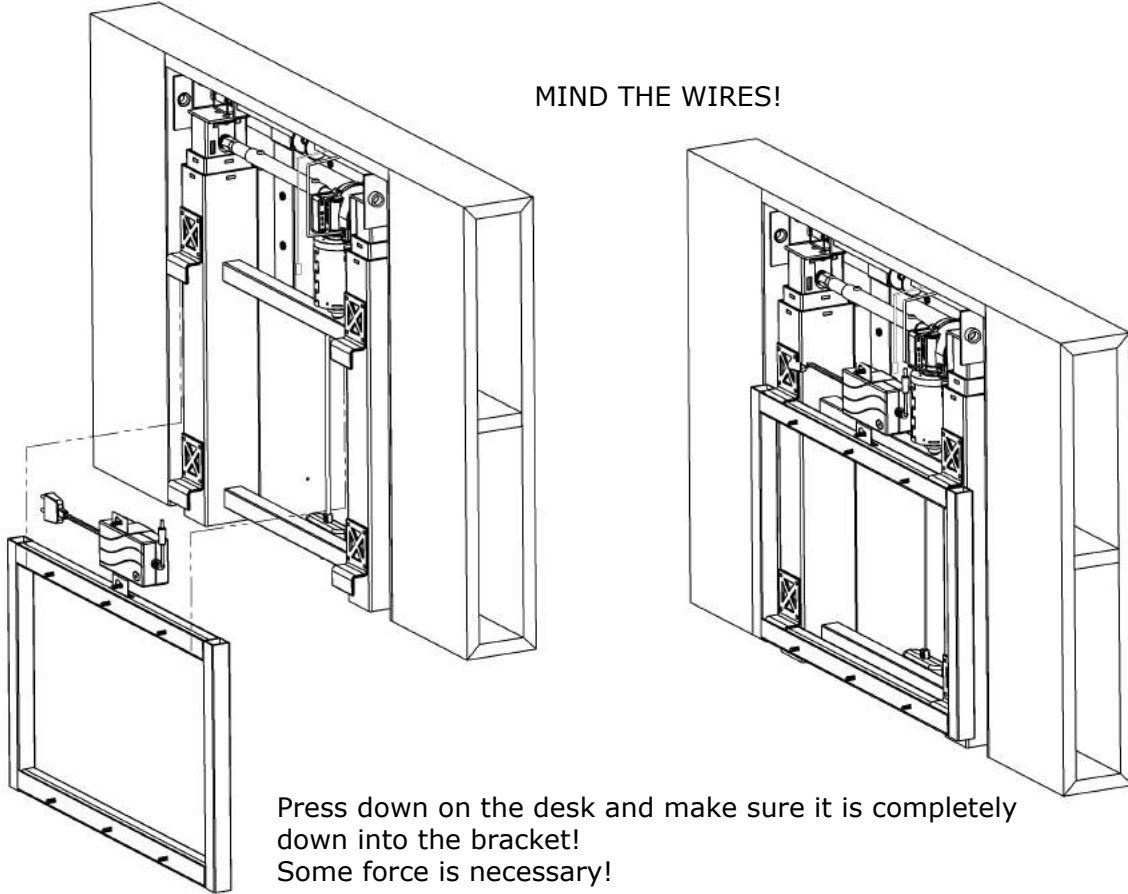


The bracket must be level. **The minimum distance from the floor is 35 mm.** When the bracket is placed 89mm from the floor, the top of the desk is 720mm in the lowest position. The person mounting the bracket must choose screws etc. that suit the condition of the wall! Screws etc. are not included.

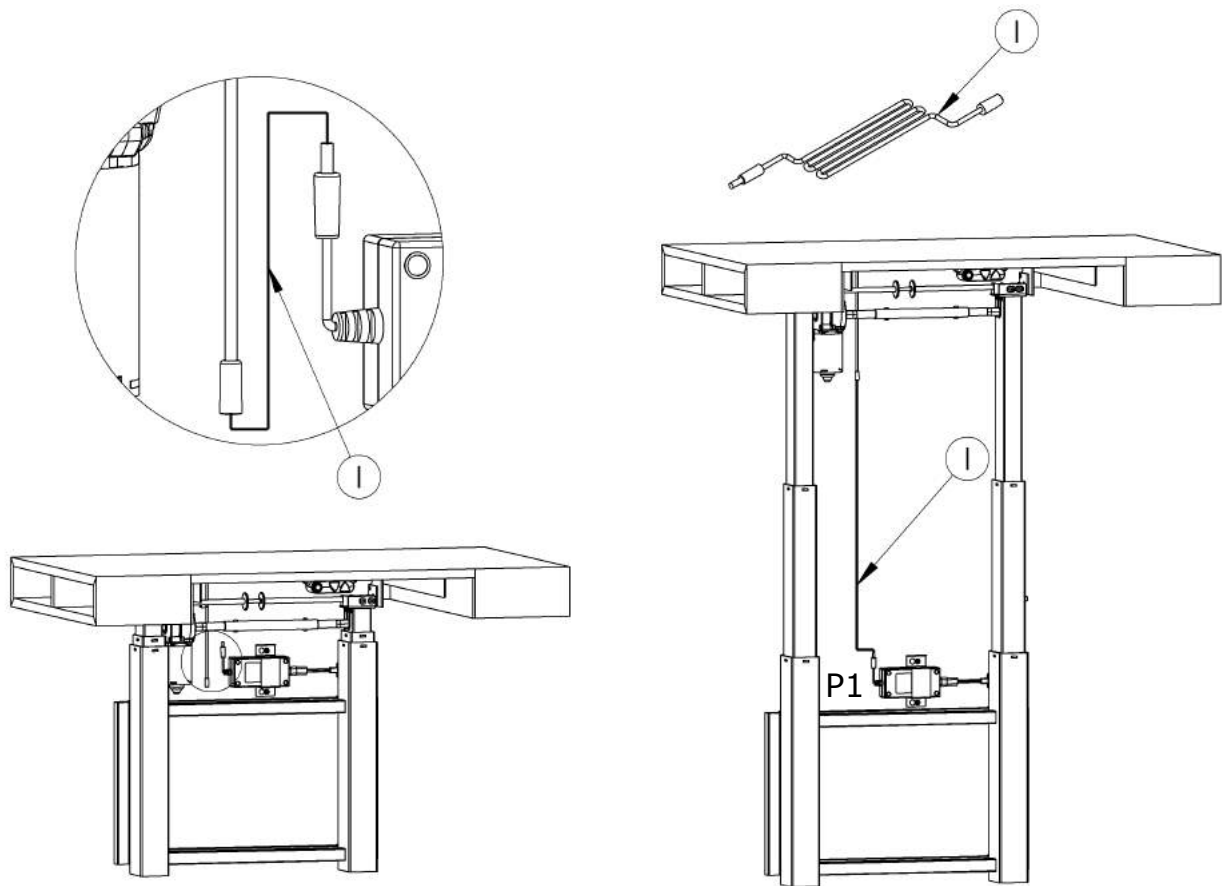
## 6 Mount power supply to the wall



**7** Mount desk frame on wall bracket



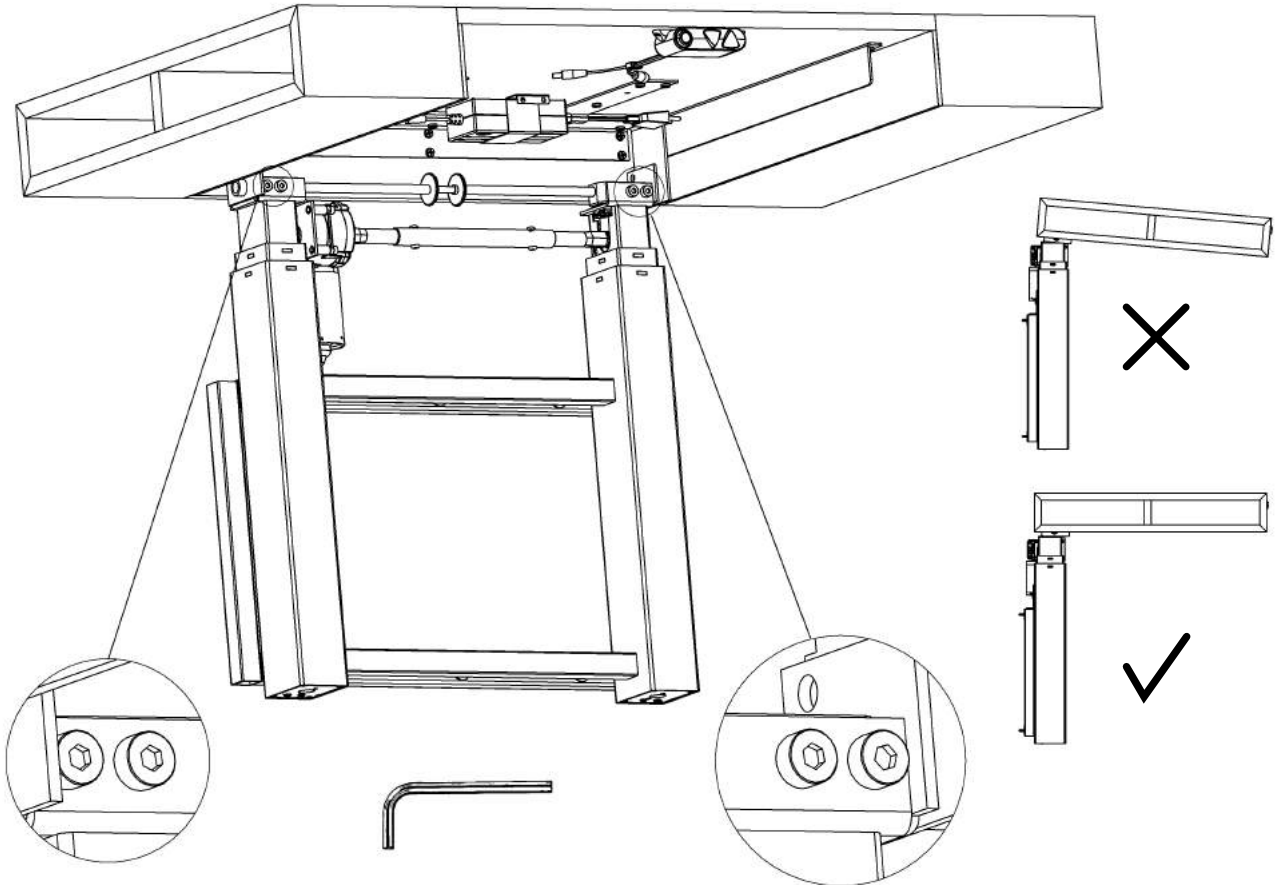
**8** Wiring(3/3)



Use the extender wire (I) to connect the red wire and power supply. When the two are connected elevate the desk to maximum height. Then fold the excess wire at position P1. Secure the fold with a cable tie(K).



**9** Adjusting the desk



If the desk is not perfectly level after mounting it can be adjusted with the highlighted 4 screws. Just loosen the screws and lift the tabletop until it is level - then tighten the screws again.

**10** Fixing the desk frame to wall bracket.



Fix the desk frame to the wall bracket using 2 zipties.

