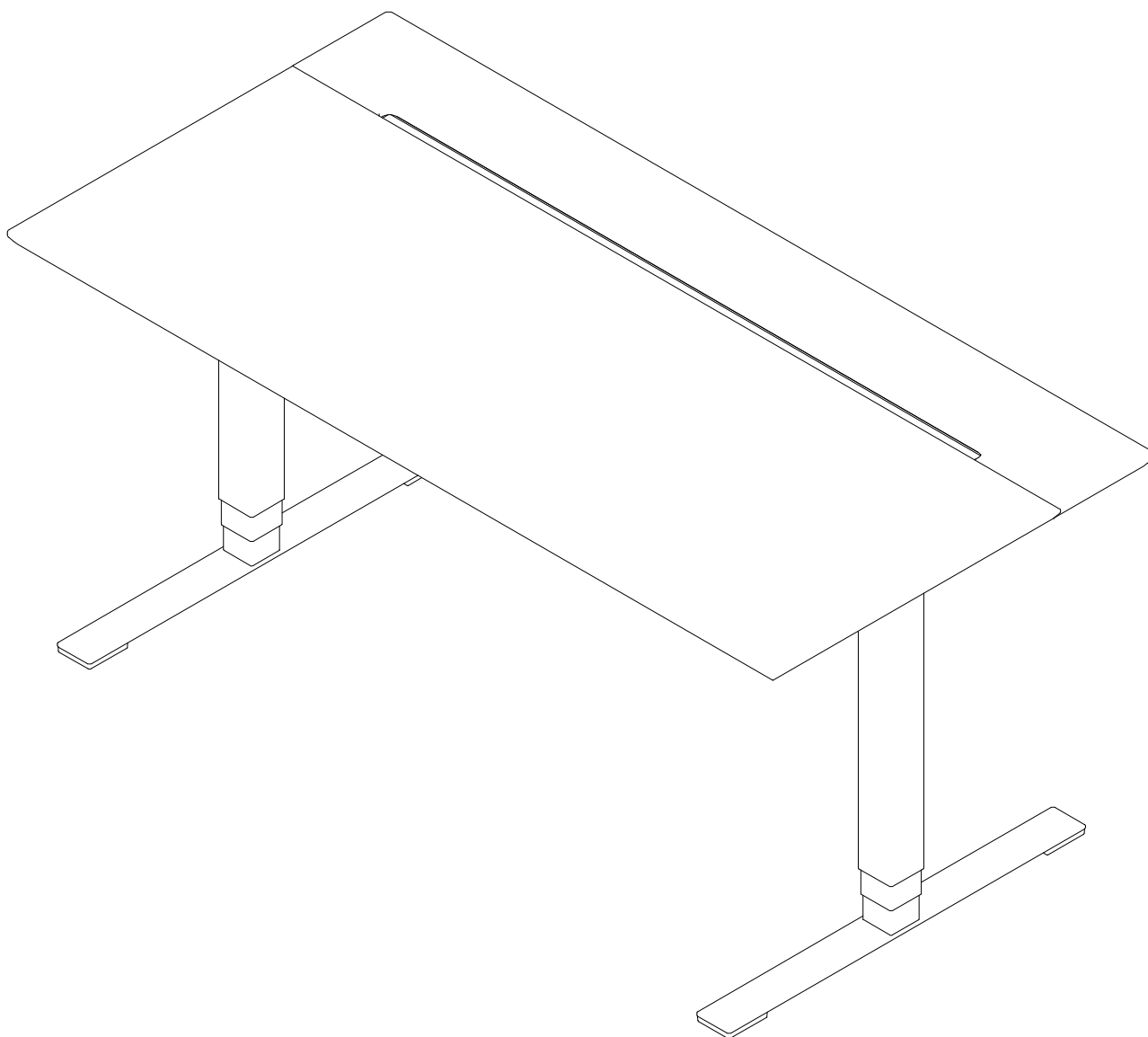
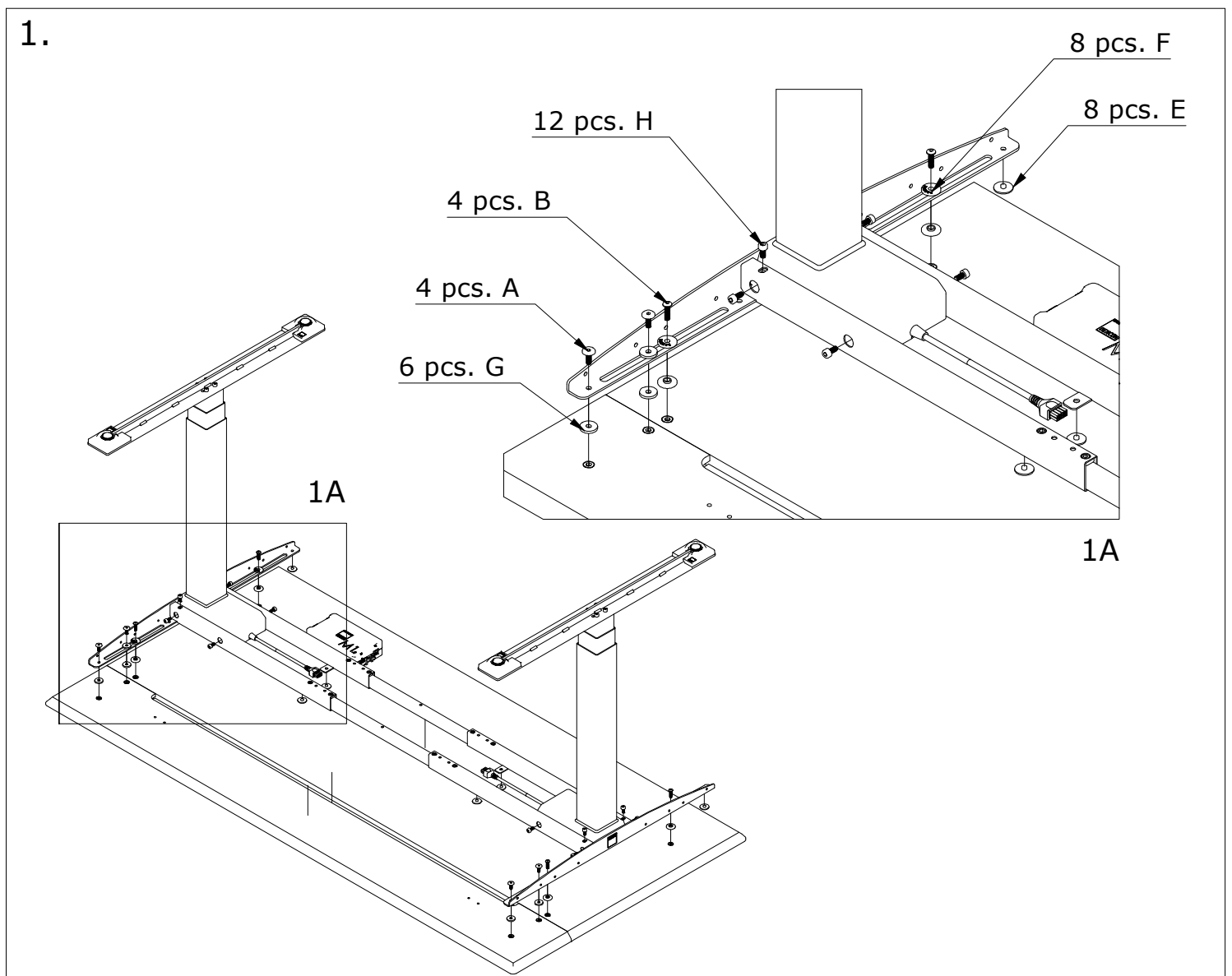
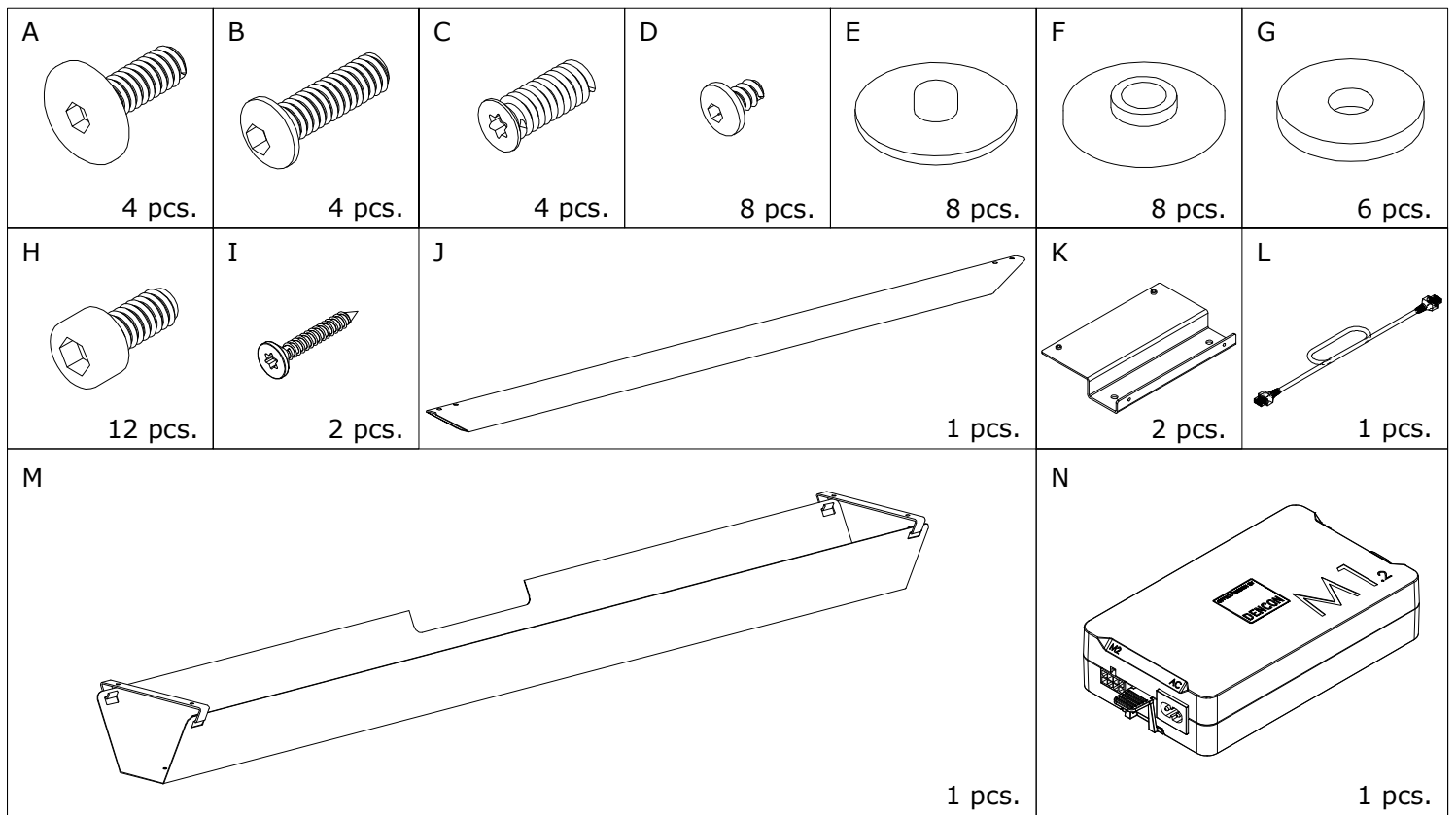


2-slide desk



WE CREATE TEAMS

DENCON

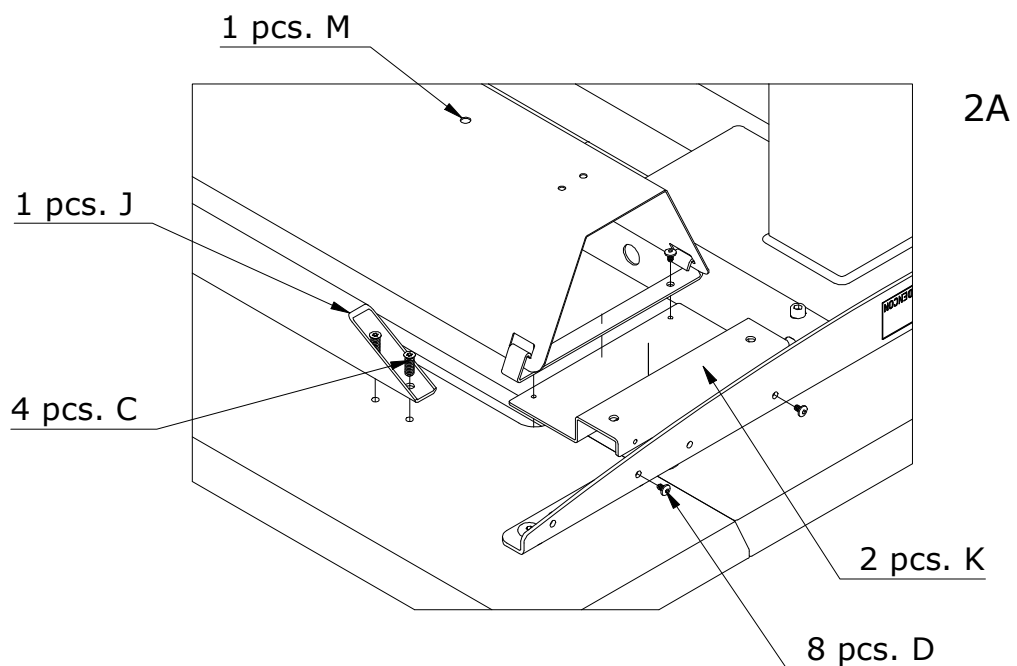
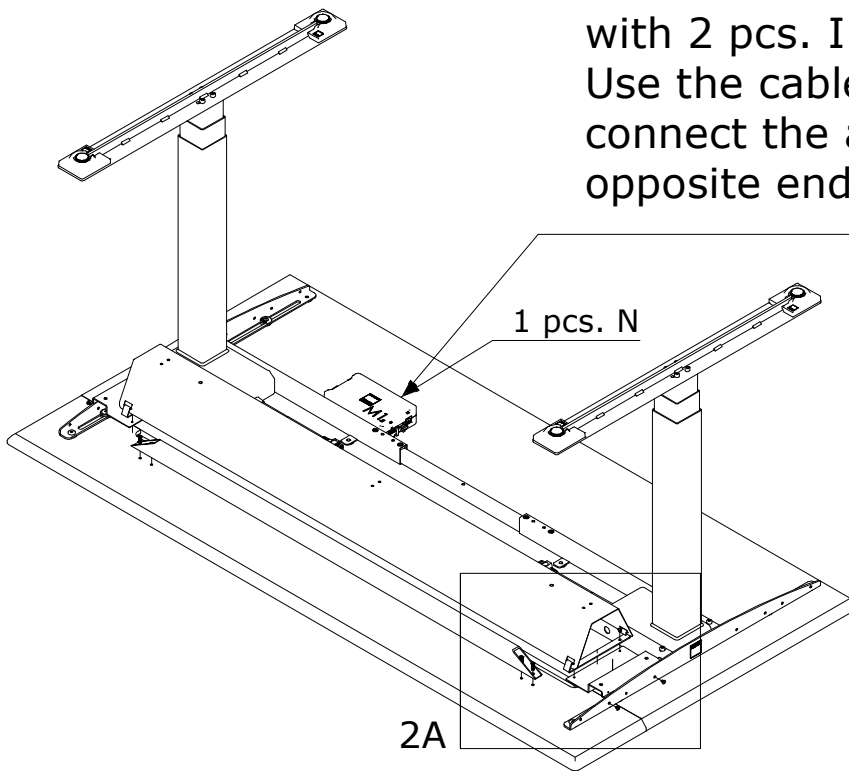


2.

The control box N should be placed in front of the steel frame at one end of the table.

Do NOT place the control box between the two frames!

The control box is mounted with 2 pcs. I.
Use the cable L to reach and connect the actuator in the opposite end of the control box.



3.

