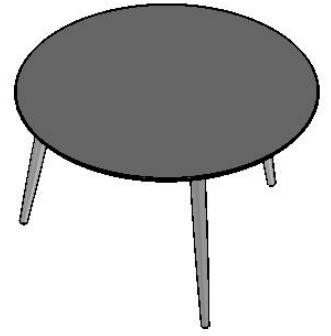
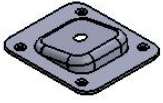


Monteringsanvisning Installation instructions

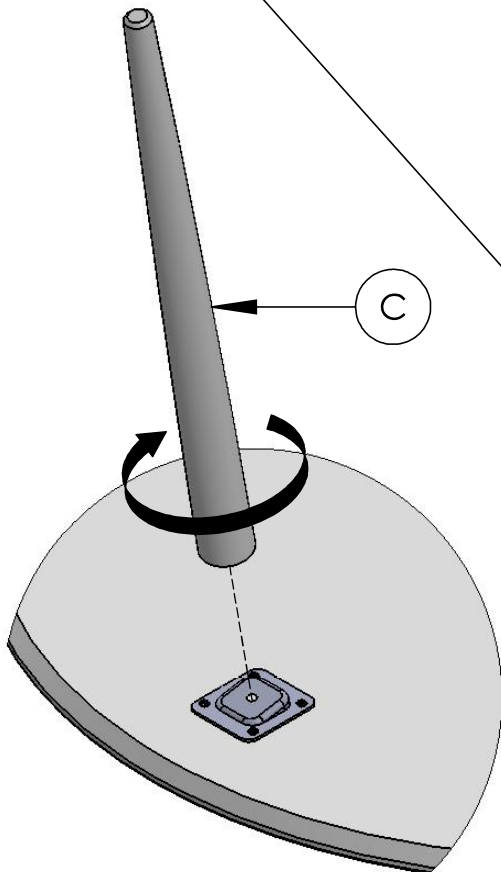
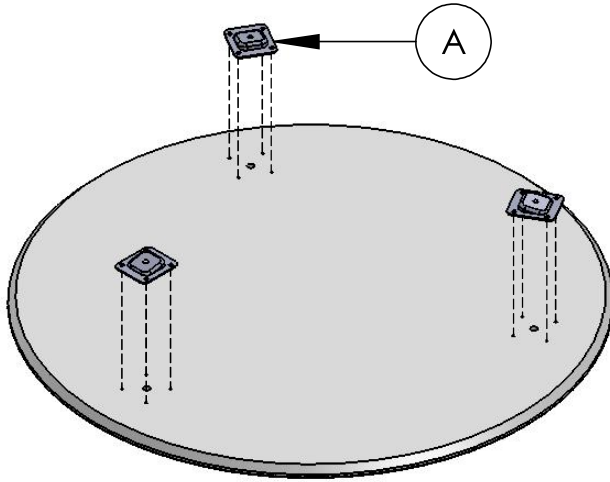
(A)
X 3

(B)
X 12

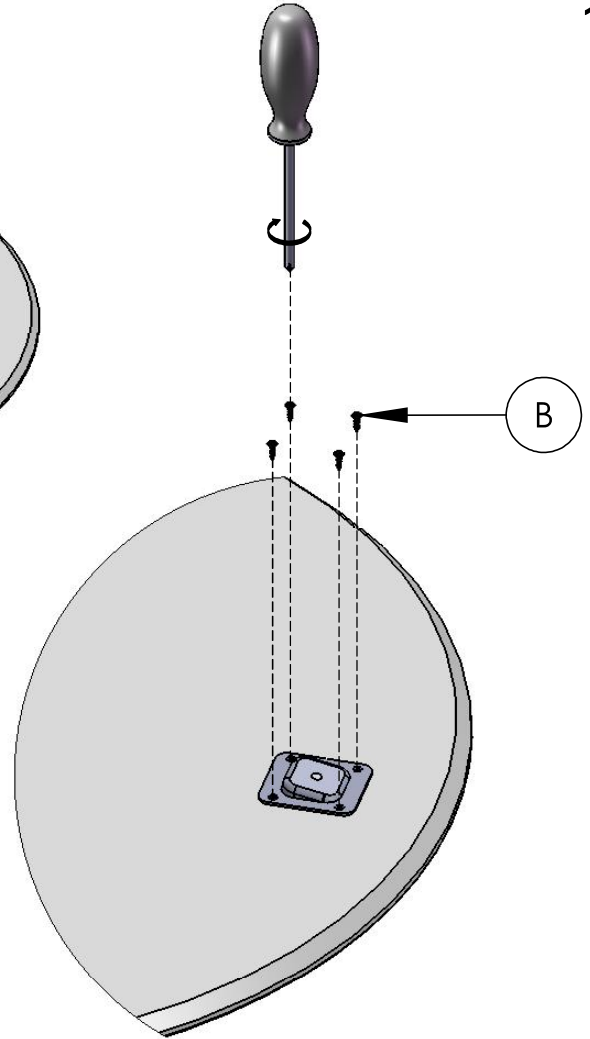
(C)
X 3



2.



1.



3.

Fjern folien fra bordpladens top.
Remove the foil from the table top.

