

LINTEX

ONE Mobile Double Sided

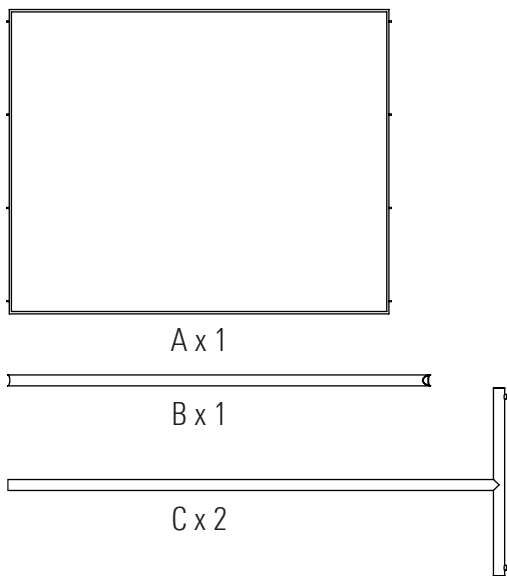
Art.no: 91043S, 91043V, 91044S, 91044V

Mounting Instruction

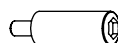
ONE Mobile Double Sided

Art.no: 91043S, 91043V, 91044S, 91044V

LINTEX



D x 8



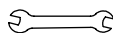
E x 2



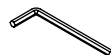
F x 4



G x 4



H x 1



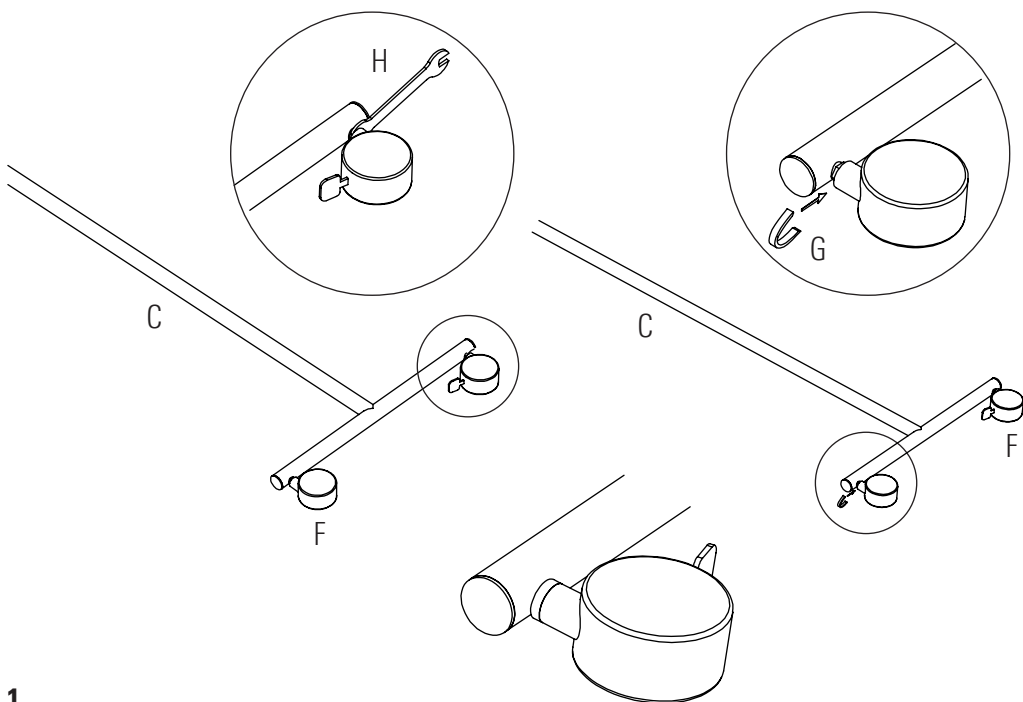
I x 1



J x 1



G x 2

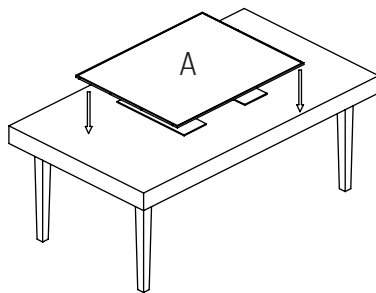
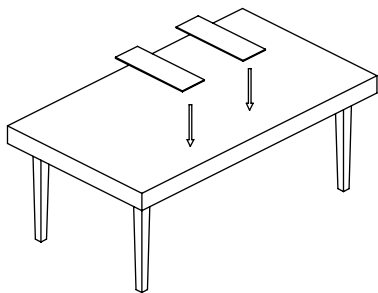


Mounting Instruction

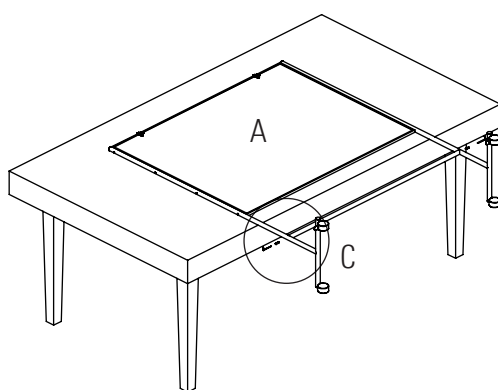
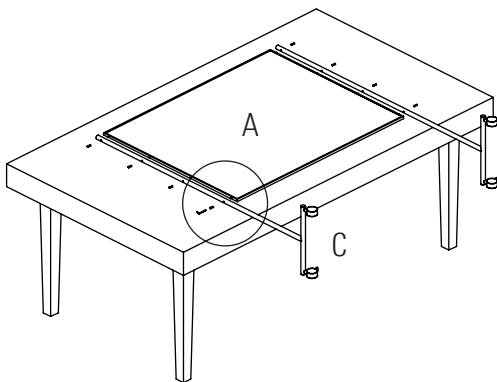
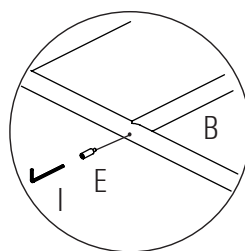
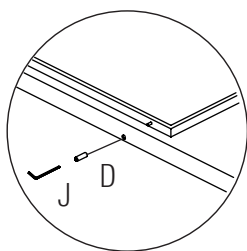
ONE Mobile Double Sided

Art.no: 91043S, 91043V, 91044S, 91044V

LINTEX



2.



3.

